

5.8GHz DUAL-INPUT
AUDIO / VIDEO SENDER SYSTEM



AVS58

USER GUIDE

5.8GHz Dual-Input Audio/Video Sender System

CONTENTS

1. Introduction.....	2
2. Conformity of Use.....	3
3. Controls and Connections	4-5
4. Product Contents.....	6
5. Connecting the Transmitter	6-9
6. Connecting the Receiver	10-11
7. Operating Instructions	12
8. Advanced Feature - Connecting to a PC or Notebook	13
9. Troubleshooting.....	14-15
10. Technical Data	16

1. INTRODUCTION

The 5.8GHz Dual-Input Video Sender System (AVS58) is designed to transmit audio and video signals without running any wires. Watch and control movies and other programs from up to two source devices (DVD player, PayTV, VCR or other source devices) in another room up to 25m away. It is also possible to use the Infra-Red (IR) remote control of your source devices from the remote location with the IR Extender feature.

- Watch a movie on any TV in your home without moving your DVD or running cables.
- Watch PayTV on any TV in your house without buying a second decoder.
- Watch downloaded movies stored on your PC on a TV in any room.
- Listen to MP3 audio from your PC on your Stereo in any room.
- Two source devices can be connected to the transmitter, you can switch between them from the remote location.

The AVS58 has two main components, the Transmitter and the Receiver. The Transmitter sends an Audio/Video (AV) signal from up to two different source devices to the Receiver via a 5.8GHz radio frequency (RF) signal - which has a range of around 25 meters and can travel through walls and floors (range can vary depending on local conditions). The Receiver then converts the RF signal from the Transmitter back into an AV signal and outputs this to a 2nd TV.

The AVS58 also provides the ability for you to use the remote control of your source device (DVD, PayTV box etc.) from the 2nd room. Simply point the remote control at the Receiver and it will convert the infrared (IR) signals of the remote control into a 433MHz radio frequency signal for transmission back to the Transmitter. The Transmitter will then convert it back to an IR signal and send it out on the IR emitter lead provided. The IR emitter lead outputs the IR signals on its three stick-on IR emitters, one of which will need to be stuck onto the IR receiving section on the front display of your source device.

2. CONFORMITY OF USE

For carefree and safe use of this product, please read this manual and safety information carefully and follow the instructions. The unit is registered as a device that does not cause or suffer from radio-frequency interference. It is Australian approved and it conforms with the Low Voltage Directory. The safety and installation instructions must be observed. Technical manipulation of the product or any changes to the product are forbidden, due to safety, security and approval issues.

Please take care to set up the device correctly - consult this user guide.

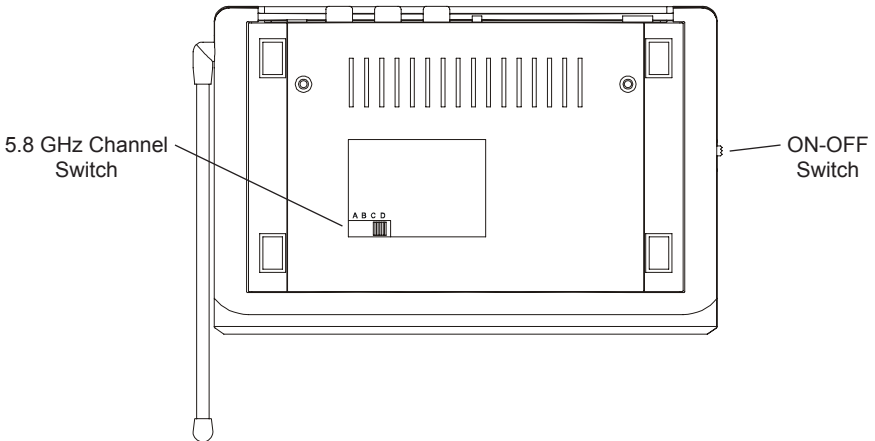
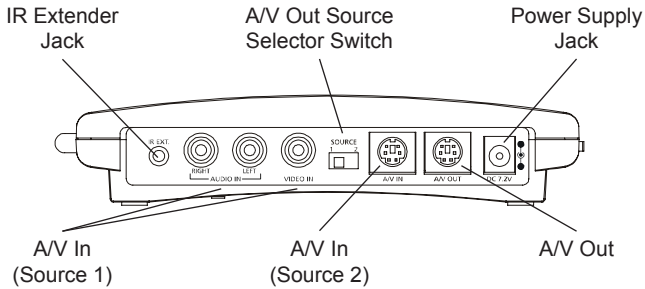
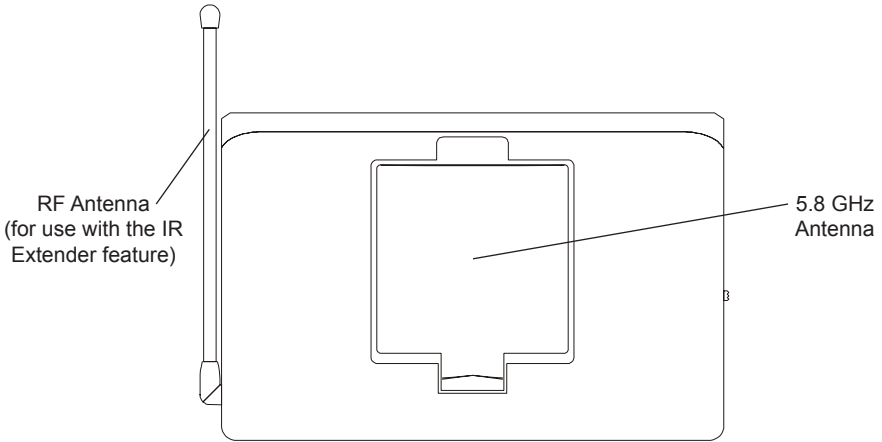
Young children should use the device only under adult supervision. No guarantee or liability will be accepted for any damage caused due to incorrect use of the equipment supplied, other than indicated in this owner's manual.

2.1 SAFETY WARNINGS

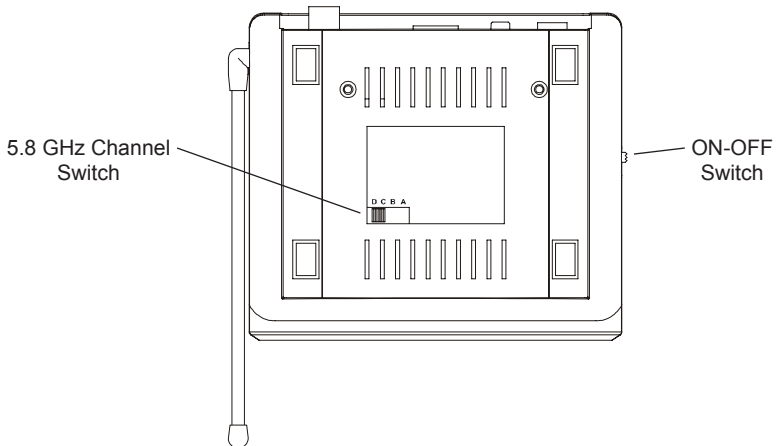
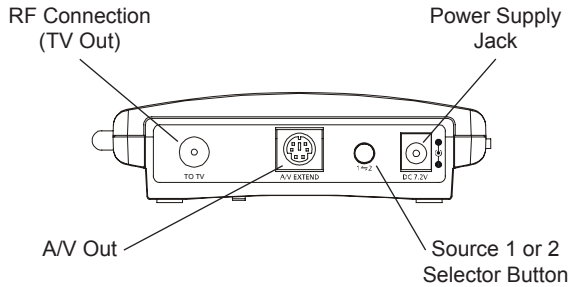
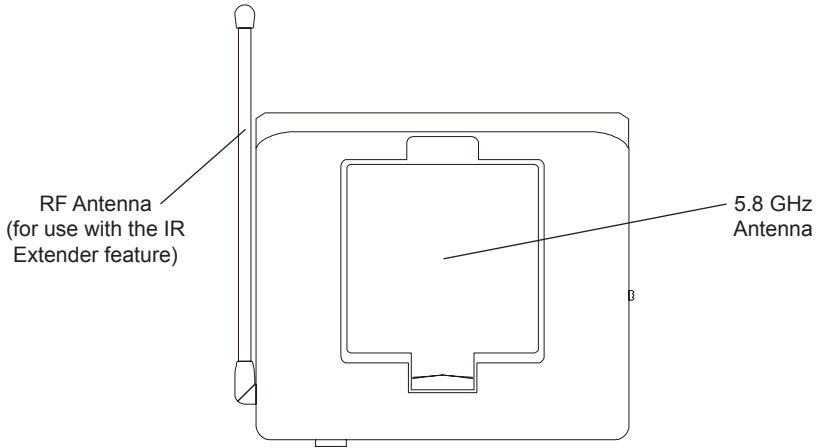
- To prevent short circuits, this product should only be used inside and only in dry spaces. Do not expose the components to rain or humidity.
- Only connect the adapter to the mains after checking whether the mains voltage is the same as the values on the rating labels. Never connect an adapter or power cord when it is damaged. In that case, contact your supplier. If there is any danger of a thunderstorm, it is a good precaution to unplug the power supply from the mains network in order to protect it from lightning. The same applies if the system is to be out of use for any length of time.
- Avoid strong mechanical wear and tear, extreme ambient temperatures, strong vibrations and atmospheric humidity.
- Do not disassemble any part of the product: the device contains live parts and no user-serviceable parts are inside. The product should only be repaired or serviced by qualified and authorised service personnel. Defected pieces must be replaced by original (spare) parts.
- Adapters: Only connect the adapters to the mains after you have checked whether the mains voltage corresponds with the value on the type tags. Never connect an adapter or cable when it is damaged. In that case, contact your supplier.
- Batteries: keep batteries out of the reach of children. Dispose of batteries as chemical waste. Never use old and new batteries or different types of batteries together. Remove the batteries when you are not using the system for a longer period of time. When inserting batteries be sure the polarity is respected. Make sure that the batteries are not short circuited and are not disposed in fire (danger of explosion) - Note: Batteries are not required for this device.

In case of improper usage or if you have opened, altered and repaired the product yourself, all guarantees expire. The supplier does not accept responsibility in the case of improper usage of the product or when the product is used for purposes other than specified. The supplier does not accept responsibility for additional damage other than covered by the legal product responsibility.

3. CONTROLS AND CONNECTIONS - TRANSMITTER UNIT



3. CONTROLS AND CONNECTIONS - RECEIVER UNIT



4. PRODUCT CONTENTS

Check that you have received the following parts:

- 1 x Transmitter
- 1 x Receiver
- 1 x Mains power adapter for the Transmitter, 7.2VDC 320mA
- 1 x Mains power adapter for the Receiver, 7.2VDC 250mA
- 2 x SCART to RCA adapter labelled 'Transmitter'
- 1 x SCART to RCA adapter labelled 'Receiver'
- 1 x RCA to RCA cable (AV cable) labelled 'Source 1 / AV IN 1'
- 1 x Mini DIN to RCA cable (AV cable) labelled 'Source 2 / AV IN 2'
- 1 x Mini DIN to RCA cable (AV cable) labelled 'AV Extender'
- 1 x Mini DIN to RCA cable (AV cable) labelled 'TV / AV OUT'
- 1 x Audio adapter 3.5mm stereo jack to RCA socket
- 1 x IR Extender lead, with 3 stick-on IR emitting diodes
- 1 x Instruction Manual

5. CONNECTING THE TRANSMITTER

The transmitter is connected to an audio/video source, such as a PayTV decoder, DVD, VCR, satellite receiver, television or even a computer's audio/video output (see page 13). Up to two source devices can be connected to the Transmitter, the first (source 1) is connected to the "AUDIO IN - VIDEO IN" terminal marked on the back of the Transmitter and an optional second source device (source 2) is connected to the A/V IN terminal.

5.1 CONNECTING VIA RCA CONNECTION (YELLOW, RED & WHITE PLUGS)

If your source device has RCA AV outputs available (yellow/red/white or yellow/white sockets) then these can be used for connection to the Transmitter. Connect one of the supplied AV cables to a spare input on the Transmitter (labelled AUDIO IN - VIDEO IN or A/V IN). Next, plug the other end of the AV cable into your source device's RCA AV outputs. The yellow RCA plug is for video, the white and red plugs are for left and right channel audio respectively. If your source device only has a yellow and white RCA output then do not connect the red plug. If you don't have a spare RCA AV outputs on your source device because it is connected to the local TV, you may remove this connection as the Transmitter has an output for connection to the local TV (see 5.4 on opposite page).

Important: The AV IN terminals on the Transmitter should only be connected to an AV Output on your source device, it will not work if connected to an AV Input.

If you want to transmit audio only, connect only the white and red plugs of the AV cable.

5.2 CONNECTING VIA SCART CONNECTION (ADAPTER LABELED “TRANSMITTER”)

If your source device has a SCART output then this can be used for connection to the Transmitter. Connect one of the supplied AV cables to a spare input on the Transmitter (labelled AUDIO IN - VIDEO IN or AV IN). Next, plug the red/white/yellow plugs from the other end of the AV cable into one of the supplied SCART adaptors labelled “Transmitter”. Next, connect the SCART adaptor into the SCART output of your source device. If you don't have a spare SCART output on your source device because it is connected to the local TV, you may remove this connection as the Transmitter has an output for connection to the local TV (see 5.4 below).

Important: The AV IN terminals on the Transmitter should only be connected to an AV Output on your source device, it will not work if connected to an AV Input.

If you want to transmit audio only, connect only the white and red plugs of the AV cable to the SCART adaptor.

5.3 CONNECTING TO A 3.5MM AUDIO JACK (HEADPHONE SOCKET)

You can connect the Transmitter to a 3.5mm audio jack (headphone socket) of a source device to transmit audio only (eg. to transmit audio from a stereo or personal music player). To do so, first connect one of the supplied AV cables to an input on the Transmitter (labelled AUDIO IN - VIDEO IN or AV IN), then plug just the white and red plugs into the audio adaptor. Next connect the audio adaptor to the 3.5mm audio output jack of your source device.

5.4 CONNECTING THE TRANSMITTER TO THE LOCAL TV

In order to view signals from your source device(s) on the local TV (where the Transmitter is situated), plug a supplied AV cable into this connection and plug the red/white/yellow plugs from the other end into an AV Input on your TV. You can use the Source Selector Switch on the rear of the Transmitter to choose which signal (Source 1 or Source 2) is transmitted to the TV connected to the A/V OUT output (see page 9 - Fig. 5.8.2).

5.5 INFRARED EXTENDER (FOR REMOTE CONTROL OF SOURCE DEVICES FROM REMOTE ROOM)

To enable remote control of the source device(s) from the remote location (where you will have the Receiver installed), you have to connect the IR Extender lead. The Transmitter outputs the IR signal (sent from the Receiver) through the 3 stick-on IR emitter diodes positioned on the IR Extender lead. The emitters output the IR signal directly onto the IR receiving sensor of your source device(s) (see page 9 - Fig. 5.8.3).

Connect the 3.5mm plug of the IR Extender to the IR EXT. socket on the Transmitter. Next, stick one of the IR emitters next to the IR receiver sensor window of the device you want to control. Information on where the IR sensor window is located should be in the manual of your device. Further tips are provided in the troubleshooting section (pages 14-15).

5.6 CONTROLLING MORE THAN ONE DEVICE

As the IR Extender lead has three IR emitters, you can simultaneously operate more than one device from the remote location. For example, you can control the PayTV box as well as the DVD player from the remote room.

Simply stick on an IR transmitter diode (as per the instructions in 5.5) to each device that you want to be able to control from the remote location (see opposite page - Fig. 5.8.3).

5.7 CONNECTING THE MAINS POWER ADAPTER

Connect the mains adapter for the Transmitter to the 7.2V socket (labelled DC 7.2V).

Plug the adapter into a wall socket (2V0V a.c. ~ 50Hz).

Set the ON/OFF switch to the ON position. The operating LED will illuminate.

Raise the Transmitter aerial and direct it towards the location of the Receiver.

5.8 EXAMPLES OF TYPICAL CONNECTION CONFIGURATIONS - TRANSMITTER

Fig. 5.8.1 This is an example of a typical setup connecting the AVS58 to only one source - PayTV via SCART connection as well as PayTV being connected directly to the TV. Note: Other setup configurations are possible - this setup is one of the simplest and does not connect the AVS58 to the main TV.

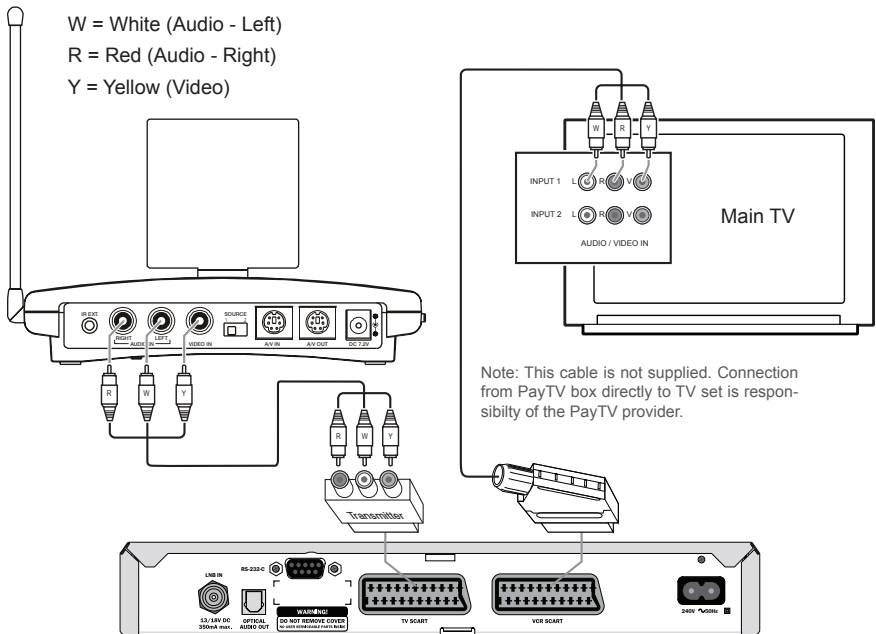


Fig. 5.8.2 This is an example of a typical setup connecting the AVS58 to PayTV and a DVD player via RCA connections. Note: Other setup configurations are possible - this setup also connects the AVS58 to the main TV allowing you to switch between Source 1 (PayTV) and Source 2 (DVD).

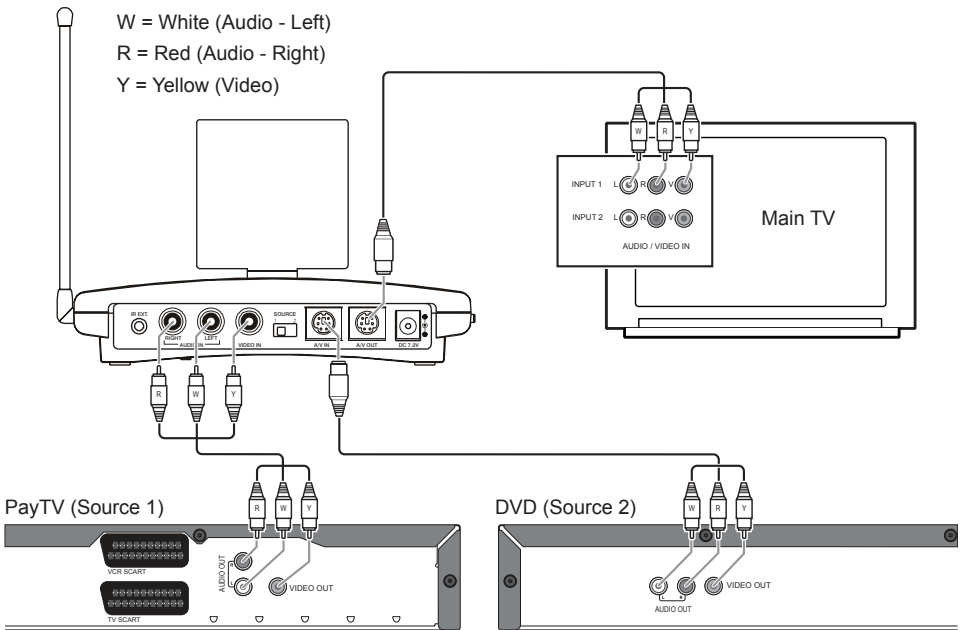
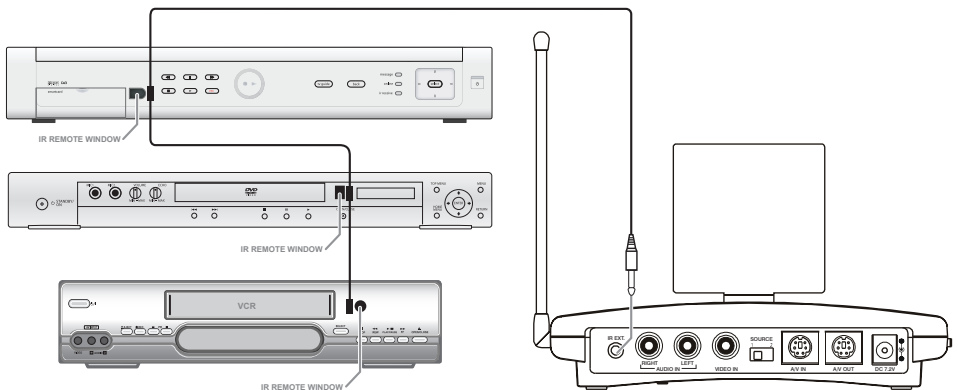


Fig. 5.8.3 This is an example of a typical setup of the IR Extender lead which allows you to use a remote control to control your devices from the receiving location. You can control from one to three devices - this example shows a setup allowing you to control three devices.



FOR TROUBLE SHOOTING TIPS SEE PAGES 14-15
FOR MORE WIRING EXAMPLES & HELP - PLEASE VISIT WWW.COCOONSYSTEMS.COM.AU

6. CONNECTING THE RECEIVER

The Receiver is connected to a TV or other AV device in the remote location, which is the room that you want to be able to view or listen to your source device(s). The Receiver picks up the 5.8GHz signal sent from the Transmitter and outputs this signal via the A/V OUT or TO TV (RF connection for older TVs without RCA or SCART inputs), which is then connected to the remote TV.

There are several ways to connect the Receiver to your remote TV or other AV device.

6.1 CONNECTING VIA RCA CONNECTION

If your receiving device has RCA AV inputs (yellow/red/white or yellow/white sockets) then these can be used for connection to the Receiver. Connect one of the supplied AV cables to the A/V OUT output marked on the Receiver. Next, connect the other end of the AV cable to a set of RCA input sockets on the receiving device (e.g. the remote TV).

The AV inputs on the remote TV are normally labelled (eg. AV1 IN, AV2 IN etc). Note down the label of your AV input and consult the operating manual of your remote TV to determine how to set it to display this particular input on the screen. This is often achieved by pressing an 'AV button' on the remote control, but your TV may have its own procedure which will be explained in the manual.

Important: The A/V OUT terminal on the Receiver should only be connected to an AV Input on your remote TV, it will not work if connected to an AV Output.

6.2 CONNECTING VIA SCART CONNECTION

If your remote TV has a SCART input (rectangular connection labelled SCART) then this can be used for connecting the Receiver. Connect one of the supplied AV cables to A/V OUT output on the Receiver. Next, plug the red/white/yellow plugs from the other end of the AV cable into the supplied SCART adaptor labelled "Receiver". Next, connect the SCART adaptor into the SCART input of your remote TV.

Important: The AV OUT terminal on the Receiver should only be connected to an AV Input on your remote TV, it will not work if connected to an AV Output.

6.3 DAISY CHAIN THE RECEIVER TO ANOTHER AV DEVICE

Instead of connecting the receiver directly to the television, you can also "daisy chain" it with a different audio/video device (one that has AV inputs). This may be necessary if the inputs of your remote TV are already being used by possibly a DVD, VCR etc. If this device has a set of A/V inputs you can connect the Receiver to those, using the same instructions above. You will then need to consult the operating manual of the AV device in order to determine how to set it to display the input you have connected the Receiver to.

6.4 CONNECTING VIA RF (AERIAL) CONNECTION

Optional: If your receiving TV does not have RCA (AV) inputs (older TVs), then instead of the RCA cable you may use an RF (aerial) cable (not included). Connect this cable between the TV-OUT port of the Receiver and the RF (antenna) input of the TV. With this option the output from the receiver is modulated to a UHF TV channel. To view the Receiver signal with this option, you will need to tune the TV to a UHF channel - please consult your TV's manual for instructions.

6.5 CONNECTING THE MAINS ADAPTER

Connect the mains adapter for the Receiver to the 7.2V socket (labelled DC 7.2V).

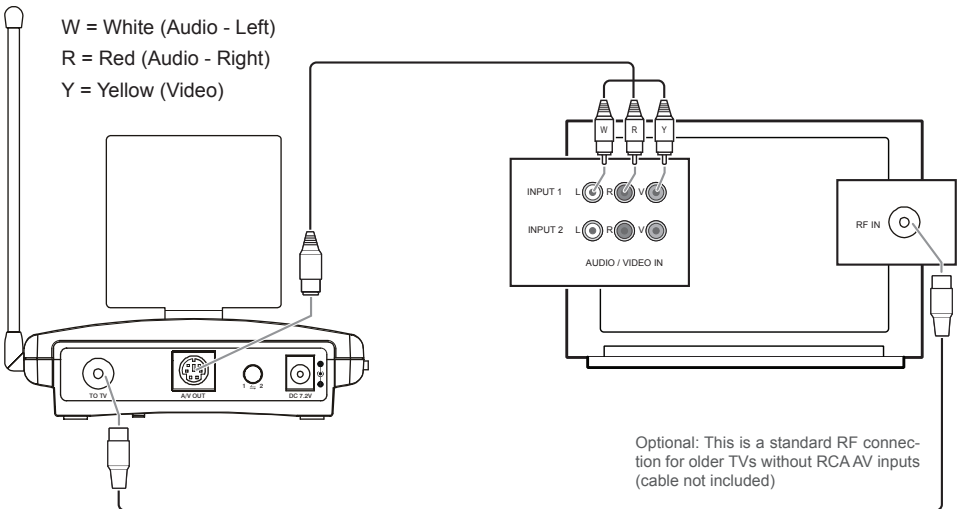
Plug the adapter into a wall socket (2V0V a.c. ~ 50Hz).

Set the ON/OFF switch to the ON position. The operating LED will illuminate.

Raise the Receiver aerial and direct it towards the location of the Transmitter.

6.6 EXAMPLES OF TYPICAL CONNECTION CONFIGURATIONS - RECEIVER

Fig. 6.6.1 This is an example of a typical setup connecting the AVS58 Receiver to the receiving TV via RCA connections (recommended). The diagram also shows how to connect the Receiver via RF connection for older TVs without RCA inputs.



FOR TROUBLE SHOOTING TIPS SEE PAGES 14-15
FOR MORE WIRING EXAMPLES & HELP - PLEASE VISIT WWW.COCOONSYSTEMS.COM.AU

7. OPERATING INSTRUCTIONS

- Please check the Product Contents section to make sure you have all of the parts listed (see page 6).
- Review and familiarise yourself with your AVS58 Audio / Video Sender System connections (see pages 4-5).
- Please read and follow the instructions for connecting the Transmitter to your main TV (see pages 6-9).
- Please read and follow the instructions for connecting the Receiver to your receiving TV (see pages 10-11).

7.1 TRANSMITTER / RECEIVER POSITIONING

- Open up the Transmitter and Receiver aerials and point them toward each other in an imaginary straight line. You may need to experiment with the position of both aerials until you obtain the optimal sound/image.
- Position the Receiver so that the front (where the power LED is located) is facing you - this is important for the operation of the IR Extender feature.

7.2 SETTING TRANSMITTER / RECEIVER CHANNELS

Your AVS58 system has four channels – i.e., four different frequencies for transmitting the AV signals. The channel switch is on the bottom of both devices (see pages 4-5).

- The Transmitter and Receiver need to be set to the same channel.
- Test which channel (A, B, C or D) provides the best reception.

7.3 SWITCHING BETWEEN SOURCES (DEVICES)

If you have connected two source devices to the Transmitter (see pages 6-9), you can now use the SOURCE 1 / 2 switch on the back of the Receiver to switch between the first (Source 1) and the second (Source2) devices. To do this, hold the SOURCE 1 / 2 button down on the back of the Receiver until it switches sources (approx. 5 sec).

You can also point a remote control at the front of the Receiver and press and hold any button until the source changes (approx. 5 sec).

7.4 USING THE IR (REMOTE) EXTENDER FEATURE

If you have connected the IR Extender lead correctly (see pages 7-9), you can use a remote to control your source device(s). Simply point your remote at the Receiver and use as normal (light will “blink” confirming receipt of command). You can also use your remote to switch between Source Channels (see 7.3 above).

8. ADVANCED FEATURE - CONNECTING TO A PC OR NOTEBOOK

You can also connect the Transmitter to a computer in order to transmit video and/or audio from your PC. Usually it doesn't make sense to transmit computer output to a TV for running computer applications, as the TV's screen display is not usually good enough to display the higher resolution computer image (unless you have a plasma or LCD TV - check manual for more information). However, if you want to watch videos or listen to audio saved on your PC, displaying them via the TV or listening to audio on a stereo is a nice feature.

The requirement to be fulfilled is that the computer must have a video output that provides video images suitable for a TV (see your graphic card's manual) and the operating system and the drivers for your graphics card must support composite video output.

8.1 SETUP GUIDE

Output via video output is activated differently depending on your operating system and graphics card. As there are numerous combinations of these, only general instructions are provided here. Check the operating instructions for your computer and/or graphics card to see how you can divert the image to video output.

- Close all programs and switch off your computer.
- Refer to the operating instructions for your PC and follow the instructions for using video output.
- Connect the yellow plug on the AV RCA cable to the graphics card's video output. If your graphics card does not have a RCA output, use a suitable adapter (optional accessory)
- Connect the red and white plugs on the Mini DIN AV RCA cable to the appropriate audio output on your PC. PCs usually have 3.5mm stereo jacks, so you can use the adapter supplied.
- Connect the cable's mini DIN plug to a spare input on the Transmitter (AV IN 1 or AV IN 2).
- Now switch on the Transmitter, the Receiver and the TV, and choose the appropriate AV input on your TV.
- Start the PC and wait until the operating system has fully loaded.
- Go to Properties and continue with Display Properties for the respective operating software.
- Change settings according your display device or graphics card to enable the video output.

Check the relevant operating instructions to see how you should proceed. If all the settings are correct, the images from the PC will now be displayed on the TV.

NOTE: The differences between operating systems and graphics cards mean that we cannot guarantee the functionality described in this section, and can't give further technical support on PC issues. If you do not get a picture then first connect the graphics card output directly to the TV to ensure that the PC is actually outputting a compatible signal. Please visit cocoonsystems.com.au for more information.

9. TROUBLESHOOTING

The AVS58 Audio / Video Sender System you have purchased is built in accordance with state-of-the-art technology and is safe for operation when used in accordance with the instructions. However, problems or malfunctions may still occur. The following list defines possible problems and associated solutions:

9.1 No *PICTURE* OR *SOUND*

- Is the source device(s) (PayTV decoder, DVD Player, etc.) switched on?
- Are the Transmitter and Receiver both supplied with power and switched on (power lights should be illuminated)?
- Is the source device(s) connected correctly to the Transmitter (see pages 6-9)?
- Is the remote TV connected correctly to the Receiver (see pages 10-11)?
- Are all cables plugged in firmly?
- Are the source device(s) configured to the correct outputs (the ones the Transmitter is connected to – you may need to consult your device manuals)?
- Have the Transmitter and Receiver been inadvertently switched? (The Transmitter should be connected to the source device(s) and the Receiver in the remote location).
- Is your Receiving TV (in the remote location) set to the correct input channel that the Receiver is connected to (e.g AV 1 - you may need to consult your TV manual)?

9.2 No *SOUND REPRODUCTION*

- Is the volume turned up on your source device(s) and receiving TV?
- Is the source device(s) configured to output sound on the outputs connected to the Transmitter (you may need to consult your device manuals)?
- Are the plugs of the AV cables firmly plugged in the connecting sockets of the source device(s), Receiving TV, Transmitter and Receiver?
- Are the RCA plugs (Yellow = Video, Red = Right Audio, White = Left Audio) or SCART adapter of the AV cables connected to the correct sockets (see pages 6-11).

9.3 *INTERFERENCE/DISTORTION WITH SOUND AND/OR PICTURE*

- The range between the Transmitter and Receiver may have been exceeded (if there are solid brick or a number of walls between the Transmitter and Receiver this will reduce the range of the system).
- Is there a metallic barrier (e.g. steel reinforced concrete wall) between Transmitter and Receiver? If so, try relocating the positions of the Transmitter and/or Receiver.

9.3 INTERFERENCE/DISTORTION WITH SOUND AND/OR PICTURE (CONT.)

- Are the antennas and of the Transmitter and Receiver raised and pointed towards each other? Try moving the position of the antennas to improve the signal (see page 12).
- Is a strong source of interference, e.g. 5.8GHz cordless phone, analectic motor, radio set, microwave over etc. close by? If so, turn off these devices to investigate whether they are causing the interference. If you find a device is interfering, try moving offending equipment to a different location.
- Are the Transmitter and Receiver too close together (less than 2 meters)? This may lead to overdriving the Receiver. If so, try increasing the distance between them or change the position of the antennas.
- Have the channel select switches of the Transmitter and the Receiver been set to the same channel? If not make sure they are set to the same letter (A, B, C or D) – (see page 12).
- If you are using the RF out of the Receiver, ensure that the connected TV is fine-tuned to the correct UHF channel (you may need to consult your TV manual – see page 11).

9.4 THE REMOTE CONTROL DOES NOT WORK FROM THE REMOTE LOCATION

- Has the IR emitter lead been plugged into the Transmitter correctly and one of the IR emitters adhered next to the IR remote window of the source device(s) that you are trying to control (see page 9 – Fig. 5.8.3)?
- Is the IR emitter adhered in the correct location on the source device(s)? If the location of the IR remote window is not obvious, a good way to ensure the correct location is to have someone constantly attempt to change channels by using the remote control in the remote location. At the same time you can slowly move one of the IR emitters along the front of the source device until you find the location where it starts responding. Then adhere the IR emitter to that position.

FURTHER TECHNICAL SUPPORT

If you have tried everything in this troubleshooting section but are still having problems with your audio/video sender, further support information is available on our web site.

www.cocoonsystems.com.au

10. TECHNICAL DATA

Power supply Transmitter: 230V AC / 7.2VDC 320mA

Power supply Receiver: 230V AC / 7.2VDC 250mA

4 channels: Channel A : 5.758 GHz Channel B : 5.776 GHz
Channel C : 5.794 GHz Channel D : 5.812 GHz

Bandwidth: 5.8GHz Power output: 25mW

IR Extender: 433.92MHz Power output: <1mW

AV-Input: 1x Mini DIN input 1x 3 RCA Plug (2 Audio 1 Video))

AV-Output: 1x Mini DIN

Video Input/Output: 1 Vpp (type) / 75 Ohms

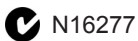
Audio Input/Output: 1 Vpp (type) / 600 Ohms

Dimensions: Transmitter: 155x102x30 mm Receiver: 115x102x30mm

Weight: Transmitter: 178g Receiver: 172g

Cocoon™ 5.8GHz Audio / Video Sender System

AVS58 Transmitter and Receiver



COCOON™ IS PROUDLY DISTRIBUTED BY GENERAL WHOLESALE PTY. LTD.

DID YOU KNOW YOU CAN ADD EXTRA RECEIVERS TO EXPAND YOUR SYSTEM?



You can now transmit the signals from your Cocoon™ AVS58 5.8 GHz Audio / Video Sender System to more than one TV throughout your home! Extra receivers are now available. Visit www.cocoonsystems.com.au for more information.
